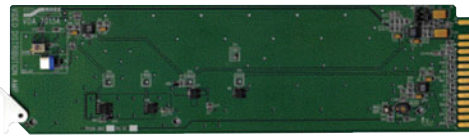


RossGear > Analog Video Gear > Video DAs



Video Distribution Amplifier

An 8 output, economical, general purpose distribution amplifier with excellent specifications.

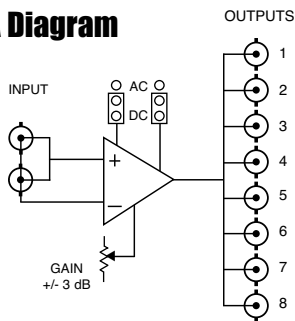
The VDA-7013A and VDA-7501 may be used in any application where cable equalization is not required.

The differential input ensures excellent system performance by virtually eliminating common-mode ground loop hum.

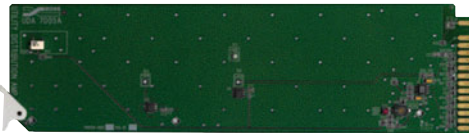
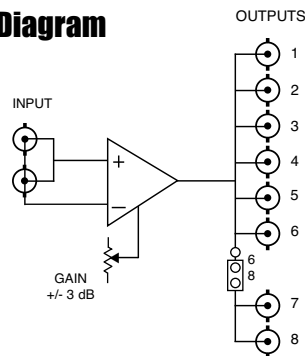
The high output capacity of the VDA-7013A and VDA-7501 makes it a good choice for subcarrier distribution purposes.

Temperature drift effects are non-existent thanks to the use of the latest in analog ASICs combined with meticulous product engineering. The power to each card is individually fused to prevent failure of any one card from affecting the rest of the cards in the frame.

VDA-7013A Diagram



VDA-7501 Diagram



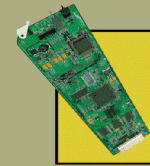
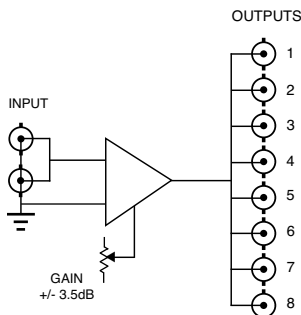
Utility Distribution Amplifier

A very economical, general purpose amplifier for use in the distribution of video, subcarrier, or pulse signals.

The UDA-7005A may be used in any application where equalization and a differential input are not required.

The use of new generation integrated circuits and innovative engineering has resulted in excellent performance combined with economy. The power to each card is individually fused to prevent failure of any one card from affecting the rest of the cards in the frame.

The exceptionally high output capability of the UDA-7005A also enables them to be used for the distribution of either 4 volt or 2 volt pulses.



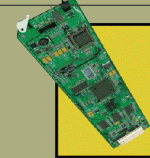
VDA-7013A

Leitch Compatible

VDA-7501

GVG Compatible

- 8 outputs
- Superb stability of frequency response and color timing
- Excellent isolation between outputs
- Differential input
- Power to each card is individually fused
- Superb technical specifications
- 5-year transferable warranty
- VDA-7013A is an alternative to the Leitch VDA-682 and VDA-683
- VDA-7013A fits Ross 7000 series and Leitch 680 series frames
- VDA-7501 is an alternative to the GVG 8501/8801
- VDA-7501 fits Ross 7500 series and GVG 8500/8800/8900 series frames



UDA-7005A

Leitch Compatible

- 8 outputs
- Wide gain range of + 6dB to - 2dB
- Economical cost
- Power to each card is individually fused (UDA-7500)
- Also functions as a Pulse DA
- Low distortion
- Excellent technical specifications
- 5-year transferable warranty
- UDA-7005A is an alternate to the Leitch UDA-683
- UDA-7005A fits Ross 7000 series and Leitch 680 series frames